



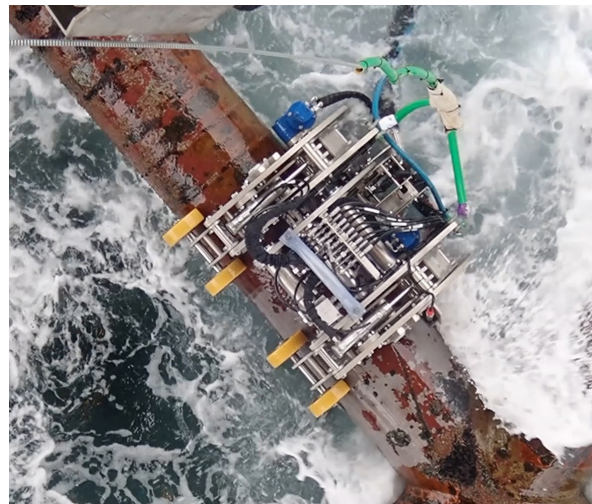
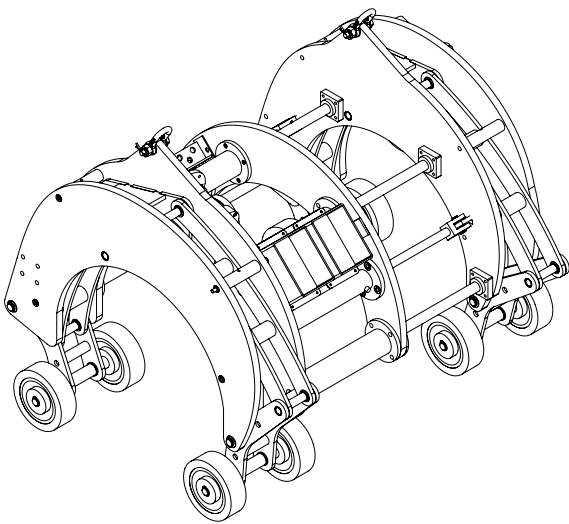
## The Robotic CRAWLER

Developed to work in the splash zone and subsea without personnel

Working in the splash zone on offshore installations presents a unique set of challenges. Challenges that often make it too dangerous to work using traditional methods. Therefore, SubC Partner has developed the Robotic CRAWLER to access the structures without having personnel in the splash zone or subsea. The system is designed as a Remote Operated Tool Platform with endless possibilities for attaching tools and equipment for cutting, maintenance and inspection.

Launched from the platform, the Robotic CRAWLER hook onto the structure and travels to the required position where it can perform the work. Once in position, the tool package is activated, and the job is carried out from a stable platform, even with waves flooding the unit every few seconds. Moreover, the CRAWLER can rotate 360 degrees.

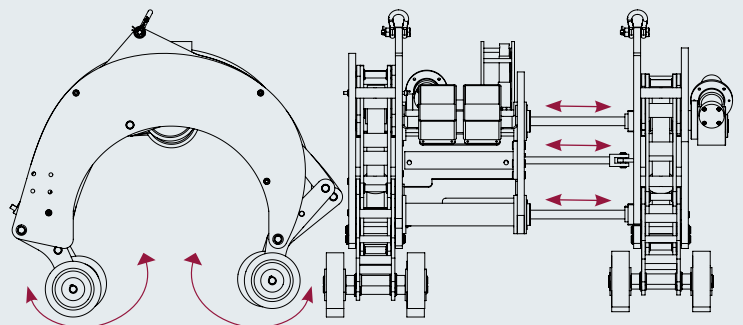
[▶ See CRAWLER video](#)



### Minimum resources requirement

The system requires a minimum of resources and space on the platform, and the remote controls allow for operation in a safe position without the need for a support vessel and divers. It results in a high level of safety and a noteworthy decrease in carbon footprint.

The Robotic CRAWLER can solve all challenges that currently are solved using rope access or divers. It is an important solution for the safety of offshore employees.



### Product features

- Safe operations in the splash zone
- In-house subsea expertise
- Diamond wire cutting
- Abrasive water jet cutting
- Blasting & painting
- Close visual inspection
- Marine growth removal
- Inspection of flooded members
- Steel thickness measurement



## Operational diamentions

Crawler number	Operational diameter (mm)
1	Ø324
2	Ø350-465
3	Ø356-457
4	Ø508
5	Ø610-660
6	Ø750
7	Ø1016
8	Ø1220
9	Ø1524
10	Ø2133
11	Ø3000

Tools	
Diamond wire saw	Cut dg: 0-47°
Circumferential diamond wire saw	Cut dg: 90°
Wall thickness measurement	Ultra Sonic
Close visual inspection	4K zoom camera
Abrasive water cutting	1000-3000 bar
Spot cleaning	500 bar
Eddy current	Yes
Flooded member detection	Yes

Sensors	
Cameras	2K SubCam
Positioning sensor	IMU
Depth sensor	Yes
Distance measurement to object	Yes
Audio Recording & feedback	Yes
Any other sensors can be added	Ethernet / CAN

Speed of operation	
Along structure	Up to 1100 mm / min
Rotation	0-600 mm / min

Powerline / Umbilical	
Electric	400 VAC
Hydraulic	175-210 bar
Cleaning	500 bar
Cut water	3000 bar
Sand hose	110 bar

Setup	
Footprint	2 x 10 ft containers
Crew	3-5 skilled operators
Power	Standard electrical supply

Crawlers	Cutting		Maintenance			Inspection (NDT)			
	Diamond Wire Cutting	Abrasive Water Cutting	High pressure marine growth	Coating	Sand blasting	Close Visual	Ultrasonic Thickness Measurement	Eddy current	Flooded member
One Claw Ø350 - Ø460	X	(X)	X	(X)	X	X	X	X	X
Crawler Ø350 - Ø750	X	X	X	(X)	X	X	X	X	X
Crawler Ø1000 - Ø3000	(X)	X	X	(X)	X	X	X	X	(X)

(X) = Options